

NA90 PHASE & RESIDUAL OVERCURRENT, PHASE & GROUND DIRECTIONAL, THERMAL IMAGE, PHASE UNDER/OVERVOLTAGE, RESIDUAL OVERVOLTAGE WITH TWO INDEPENDENT RESIDUAL CURRENT INPUTS

Application

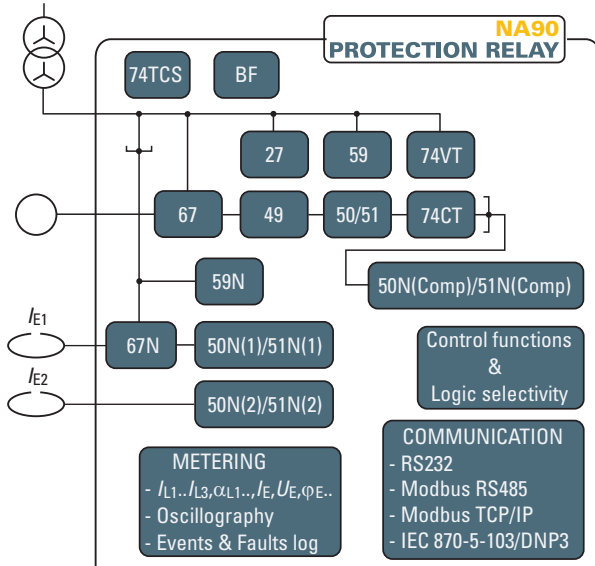
The relay type NA90 can be typically used in radial or meshed MV and LV networks as feeder or power transformer protection:

- On radial, ring and parallel feeders of any length in solidly grounded, ungrounded, Petersen coil and/or resistance grounded systems.
- On parallel connected generators and transformer on the same busbar.
- For ground fault protection on both sides of power MV-LV transformers.

Moreover undervoltage, overvoltage and automatic reclosing functions are provided.

Protective functions

- 27 Undervoltage
- 49 Thermal image (for lines and transformers)
- 50/51 Phase overcurrent
- 50N(1)/51N(1) Measured residual overcurrent
- 50N(2)/51N(2) Measured residual overcurrent
- 50N(Comp)/51N(Comp) Computed residual overcurrent
- 59 Overvoltage
- 59N Residual overvoltage
- 67 Directional phase overcurrent
- 67N Directional earth fault overcurrent
- 79 Automatic reclosing
- BF Circuit breaker failure



Firmware updating

The use of flash memory units allows on-site firmware updating.

Measuring inputs

- Three phase current inputs and one residual current input (I_{E1}), with nominal currents independently selectable at 1 A or 5 A through DIP-switches.
- One residual current input (I_{E2}), with nominal current at 1 A.
- Three phase voltage inputs with programmable nominal voltages within range 50...130 V ($U_R = 100$ V) or 200...520 V ($U_R = 400$ V).

Construction

According to the hardware configurations, the NA90 protection relay can be shipped in various case styles depending on the required mounting options (flush, projecting mounting, rack or with separate operator panel).



Modular design

In order to extend I/O capability, the NA90 hardware can be customized through external auxiliary modules:

- MRI - Output relays and LEDs
- MID16 - Binary inputs
- MCI - 4...20 mA converters
- MPT - Pt100 thermal probes.



A programmable timer is provided for each relay (minimum pulse width). The user may program the function of each relay according to a matrix (tripping matrix) structure.

MMI (Man Machine Interface)

The user interface comprises a membrane keyboard, a backlight LCD alphanumeric display and eight LEDs.

The green ON LED indicates auxiliary power supply and self diagnostics, two LEDs are dedicated to the Start and Trip (yellow for Start, red for Trip) and five red LEDs are user assignable.



Binary inputs

Two binary inputs are available with programmable active state (active-ON/active-OFF) and programmable timer (active to OFF/ON or ON/OFF transitions).

Several presettable functions can be associated to each input.

Blocking input/outputs

One output blocking circuit and one input blocking circuit are provided.

The output blocking circuits of one or several Pro_N relays, shunted together, must be connected to the input blocking circuit of the protection relay, which is installed upstream in the electric plant. The output circuit works as a simple contact, whose condition is detected by the input circuit of the upstream protection relay.

Use of suitable pilot wire to fiber optic converters (BFO) allows to perform fast and reliable accelerated logic selectivity on radial and closed ring networks.

Output relays

Six output relays are available (two changeover, three make and one break contacts); each relay may be individually programmed as normal state (normally energized, de-energized or pulse) and reset mode (manual or automatic).

Communication

Multiple communication interfaces are implemented:

- One RS232 local communication front-end interface for communication with ThySetter setup software.
- Two back-end interfaces for communication with remote monitoring and control systems by:
 - RS485 port using ModBus® RTU, IEC 60870-5-103 or DNP3 protocol.
 - Ethernet port (RJ45 or optical fiber) using ModBus/TCP protocol.

Programming and settings

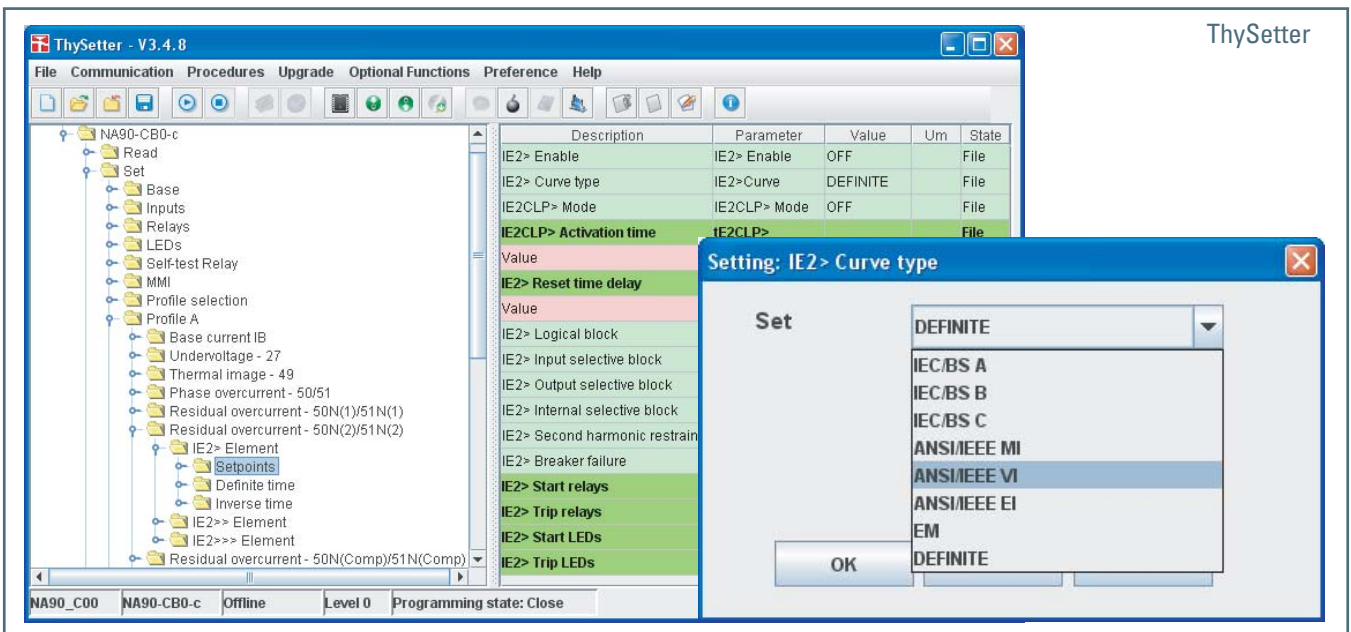
All relay programming and adjustment operations may be performed through MMI (Keyboard and display) or using a Personal Computer with the aid of the ThySetter software.

The same PC setup software is required to set, monitor and configure all Pro_N devices.

Full access to the available data is provided:

- Read status and measures.
- Read/edit settings (on-line or off-line edit).

Two session level (User or Administrator) with password for sensible data access are provided.



Control and monitoring

Several predefined functions are implemented:

- Activation of two set point profiles.
- Phase CTs and VTs monitoring (74CT and 74VT).
- Logic selectivity.
- Cold load pickup (CLP) with block or setting change.
- Trip circuit supervision (74TCS).
- Second harmonic restraint (inrush).
- Remote tripping.
- Circuit Breaker commands and diagnostic.

User defined logic may be customized according to IEC 61131-3 standard protocol (PLC).

Circuit Breaker

Several diagnostic, monitoring and control functions are provided:

- Health thresholds can be set; when the accumulated duty (ΣI or ΣI^2t), the number of operations or the opening time exceeds the threshold an alarm is activated.

- Breaker failure (BF); breaker status is monitored by means 52a-52b and/or through line current measurements.
- Trip circuit supervision (74TCS).
- Breaker control; opening and closing commands can be carried out locally or remotely.

Cold Load Pickup (CLP)

Cold load pickup element prevents unwanted tripping in case of temporary overcurrents produced when a feeder is being connected after an extended outage (e.g. motor starting).

Two different operating modes are provided:

- Each protective element may be blocked for a programmable time.
- Each threshold can be increased for a programmable time.

Second harmonic restraint

To prevent unwanted tripping of the protective functions on transformer inrush current, the protective elements can be blocked when the ratio between the second harmonic current and the relative fundamental current is larger than a user programmable threshold.

The function can be programmed to switch an output relay so as to cause a blocking protection relays lacking in second harmonic restraint.

Logic selectivity

With the aim of providing a fast selective protection system some protective functions may be blocked (pilot wire accelerated logic). To guarantee maximum fail-safety, the relay performs a run time monitoring for pilot wire continuity and pilot wire shorting. Exactly the output blocking circuit periodically produces a pulse, having a small enough width in order to be ignored as an effective blocking signal by the input blocking circuit of the upstream protection, but suitable to prove the continuity of the pilot wire.

Furthermore a permanent activation (or better, with a duration longer than a preset time) of the blocking signal is identified, as a warning for a possible short circuit in the pilot wire or in the output circuit of the downstream protection.

Self diagnostics

All hardware and software functions are repeatedly checked and any anomalies reported via display messages, communication interfaces, LEDs and output relays.

Anomalies may refer to:

- Hw faults (auxiliary power supply, output relay coil interruptions, MMI board...).
- Sw faults (boot and run time tests for data base, EEPROM memory checksum failure, data BUS,...).
- Pilot wire faults (break or short in the wire).
- Circuit breaker faults.

Metering

NA90 provides metering values for phase and residual currents, phase and residual voltage, making them available for reading on a display or to communication interfaces.

Input signals are sampled 24 times per period and the RMS value of the fundamental component is measured using the DFT (Discrete Fourier Transform) algorithm and digital filtering.

With DFT the RMS value of 2nd, 3rd, 4th and 5th harmonic of phase current are also measured.

On the base of the direct measurements, several calculated (min, max, average,...), phase, sequence, power, harmonic, demand and energy measures are processed.

Measures can be displayed with reference to nominal values or directly expressed in amperes and volts.

Event storage

Several useful data are stored for diagnostic purpose; the events are stored into a non volatile memory.

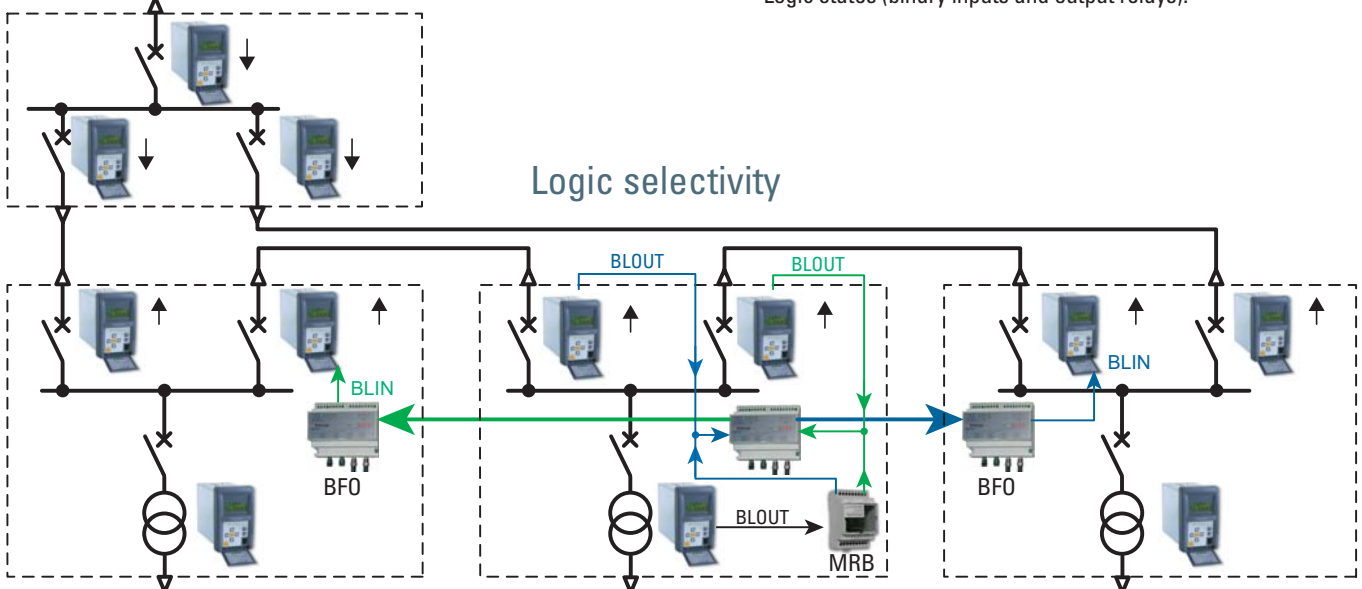
They are graded from the newest to the older after the "Events reading" command (ThySetter) is issued:

- Sequence of Event Recorder (SER).
The event recorder runs continuously capturing in circular mode the last three hundred events upon trigger of binary input/output.
- Sequence of Fault Recorder (SFR).
The fault recorder runs continuously capturing in circular mode the last twenty faults upon trigger of binary input/output and/or element pickup (start-trip).
- Trip counters.

Digital Fault Recorder (Oscillography)

Upon trigger of tripping/starting of each function or external signals, the relay records in COMTRADE format:

- Oscillography with instantaneous values for transient analysis.
- RMS values for long time periods analysis.
- Logic states (binary inputs and output relays).



SPECIFICATIONS

GENERAL

<input type="checkbox"/>	Mechanical data	
	Mounting: flush, projecting, rack or separated operator panel	
	Mass (flush mounting case)	2.0 kg
<input type="checkbox"/>	Insulation tests	
	Reference standards	EN 60255-5
	High voltage test 50Hz	2 kV 60 s
	Impulse voltage withstand (1.2/50 μ s)	5 kV
	Insulation resistance	>100 M Ω
<input type="checkbox"/>	Voltage dip and interruption	
	Reference standards	EN 61000-4-29
<input type="checkbox"/>	EMC tests for interference immunity	
	1 MHz damped oscillatory wave	EN 60255-22-1 1 kV-2.5 kV
	Electrostatic discharge	EN 60255-22-2 8 kV
	Fast transient burst (5/50 ns)	EN 60255-22-4 4 kV
	Conducted radio-frequency fields	EN 60255-22-6 10 V
	Radiated radio-frequency fields	EN 60255-4-3 10 V/m
	High energy pulse	EN 61000-4-5 2 kV
	Magnetic field 50 Hz	EN 61000-4-8 1 kA/m
	Damped oscillatory wave	EN 61000-4-12 2.5 kV
	Ring wave	EN 61000-4-12 2 kV
	Conducted common mode (0...150 kHz)	EN 61000-4-16 10 V
<input type="checkbox"/>	Emission	
	Reference standards	EN 61000-6-4 (ex EN 50081-2)
	Conducted emission 0.15...30 MHz	Class A
	Radiated emission 30...1000 MHz	Class A
<input type="checkbox"/>	Climatic tests	
	Reference standards	IEC 60068-x, ENEL R CLI 01, CEI 50
<input type="checkbox"/>	Mechanical tests	
	Reference standards	EN 60255-21-1, 21-2, 21-3
<input type="checkbox"/>	Safety requirements	
	Reference standards	EN 61010-1
	Pollution degree	3
	Reference voltage	250 V
	Overvoltage	III
	Pulse voltage	5 kV
	Reference standards	EN 60529
	Protection degree:	
	• Front side	IP52
	• Rear side, connection terminals	IP20
<input type="checkbox"/>	Environmental conditions	
	Ambient temperature	-25...+70 °C
	Storage temperature	-40...+85 °C
	Relative humidity	10...95 %
	Atmospheric pressure	70...110 kPa
<input type="checkbox"/>	Certifications	
	Product standard for measuring relays	EN 50263
	CE conformity	
	• EMC Directive	89/336/EEC
	• Low Voltage Directive	73/23/EEC
	Type tests	IEC 60255-6

COMMUNICATION INTERFACES

Local PC RS232	19200 bps
Network:	
• RS485	1200...57600 bps
• Ethernet 100BaseT	100 Mbps
Protocol	ModBus® RTU/IEC 60870-5-103/DNP3-TCP/IP

INPUT CIRCUITS

<input type="checkbox"/>	Auxiliary power supply U_{Aux}	
	Nominal value (range)	24...48 Vac/dc 115...230 Vac/110...220 Vdc
	Operative range (each one of the above nominal values)	19...60 Vac/dc 85...265 Vac/75...300 Vdc
	Power consumption:	
	• Maximum (energized relays, Ethernet TX)	10 W (20 VA)
	• Maximum (energized relays, Ethernet FX)	15 W (25 VA)
<input type="checkbox"/>	Phase current inputs	
	Nominal current I_n	1 A or 5 A selectable by DIP Switches
	Permanent overload	25 A
	Thermal overload (1s)	500 A
	Rated consumption (for any phase)	≤ 0.002 VA ($I_n = 1$ A) ≤ 0.04 VA ($I_n = 5$ A)
<input type="checkbox"/>	Residual current input	
	Nominal current I_{En}	1 A or 5 A selectable by DIP Switch
	Permanent overload	25 A
	Thermal overload (1s)	500 A
	Rated consumption	≤ 0.006 VA ($I_{En} = 1$ A) ≤ 0.012 VA ($I_{En} = 5$ A)
<input type="checkbox"/>	Residual current input I_{E2}	
	Nominal current I_{En}	1 A
	Permanent overload	5 A
	Thermal overload (1s)	100 A
	Rated consumption	≤ 0.006 VA
<input type="checkbox"/>	Voltage inputs	
	Reference voltage U_R	100 V or 400 V selectable on order
	Nominal voltage U_n	50...130 V or 200...520 V adjustable via sw
	Permanent overload	1.3 U_R
	1s overload	2 U_R
	Rated consumption (for any phase)	≤ 0.5 VA
<input type="checkbox"/>	Binary inputs	
	Quantity	2
	Type	dry inputs
	Max permissible voltage	19...265 Vac/19...300 Vdc
	Max consumption, energized	3 mA
<input type="checkbox"/>	Block input (Logic selectivity)	
	Quantity	1
	Type	polarized wet input (powered by internal isolated supply)
	Max consumption, energized	5 mA

OUTPUT CIRCUITS

<input type="checkbox"/>	Output relays K1...K6	
	Quantity	6
	• Type of contacts K1, K2	changeover (SPDT, type C)
	• Type of contacts K3, K4, K5	make (SPST-NO, type A)
	• Type of contacts K6	break (SPST-NC, type B)
	Nominal current	8 A
	Nominal voltage/max switching voltage	250 Vac/400 Vac
	Breaking capacity:	
	• Direct current (L/R = 40 ms)	50 W
	• Alternating current ($\lambda = 0,4$)	1250 VA
	Make	1000 W/VA
	Short duration current (0,5 s)	30 A
<input type="checkbox"/>	Block output (Logic selectivity)	
	Quantity	1
	Type	optocoupler
<input type="checkbox"/>	LEDs	
	Quantity	8
	• ON/fail (green)	1
	• Start (yellow)	1
	• Trip (red)	1
	• Allocatable (red)	5

GENERAL SETTINGS

Rated values

Relay nominal frequency (f_n)	50, 60 Hz
Relay phase nominal current (I_n)	1 A, 5 A
Phase CT nominal primary current (I_{n1p})	1 A...10 kA
Relay residual nominal current (I_{E1n})	1 A, 5 A
Relay residual nominal current (I_{E2n})	1 A
Residual CT nominal primary current (I_{E1np})	1 A...10 kA
Residual CT nominal primary current (I_{E2np})	1 A...10 kA
Relay nominal voltage (phase-to-phase) (U_n)	50...130 V or 200...520 V
Relay nominal voltage (phase-to-ground)	$E_n = U_n / \sqrt{3}$
Line VT primary nominal voltage (phase-to-phase) (U_{np})	50 V...500 kV
Relay residual nominal voltage (computed measure) (U_{ECn})	$U_{ECn} = \sqrt{3} \cdot U_n = 3 \cdot E_n$
Residual primary nominal voltage (phase-to-phase) ($\sqrt{3} \cdot U_{Enp}$)	50 V...500 kV
Relay nominal active power (P_n)	$P_n = \sqrt{3} \cdot U_n \cdot I_n = 3 \cdot E_n \cdot I_n$
Relay nominal reactive power (Q_n)	$Q_n = \sqrt{3} \cdot U_n \cdot I_n = 3 \cdot E_n \cdot I_n$
Relay nominal apparent power (S_n)	$S_n = \sqrt{3} \cdot U_n \cdot I_n = 3 \cdot E_n \cdot I_n$

Binary input timers

ON delay time (IN1 t_{ON} , IN2 t_{ON})	0.00...100.0 s
OFF delay time (IN1 t_{OFF} , IN2 t_{OFF})	0.00...100.0 s
Logic	Active-ON/Active-OFF

Relay output timers

Minimum pulse width	0.000...0.500 s
---------------------	-----------------

FUNCTIONS

Base current IB^[1]

Base current (I_B)	0.10...2.50 I_n
------------------------	-------------------

Note 1: the basic current IB represents the nominal current of the line or transformer, referred to the nominal current of the CT's for thermal image protection. If the secondary rated current of the line CT's equals the rated current of the relay, as usually happens, the IB value is the ratio between the rated current of the protected element and the primary rated current of the CT's

Thermal with PT100 thermometric probes - 26^[2]

PT1 probe:

ThAL1 Alarm

• PT1 Alarm threshold ($ThAL1$)	0...200 °C
• $ThAL1$ Operating time (t_{ThAL1})	0...100 s

Th>1 Trip

• PT1 Trip threshold ($Th>1$)	0...200 °C
• $Th>1$ Operating time ($t_{Th>1}$)	0...100 s

PT2...8: probe

ThAL2...8 Alarm

• PT2...8 Alarm threshold ($ThAL2...8$)	0...200 °C
• $ThAL2...8$ Operating time ($t_{ThAL2...8}$)	0...100 s

Th>2...8 Trip

• PT2...8 Trip threshold ($Th>2...8$)	0...200 °C
• $Th>2...8$ Operating time ($t_{Th>2...8}$)	0...100 s

Note 2: the element is available when the MPT module, connected to the Thybus, is enabled

Undervoltage - 27

Common configuration:

• Voltage measurement type for 27 (U_{type27}) ^[1]	U_{ph-ph} / U_{ph-n}
• 27 Operating logic ($Logic27$)	AND/OR

U< Element

• U< Curve type (U<Curve)	DEFINITE INVERSE ^[2]
---------------------------	------------------------------------

Definite time

• 27 First threshold definite time ($U_{<def}$)	0.05...1.10 U_n / E_n
• $U_{<def}$ Operating time ($t_{U_{<def}}$)	0.03...100.0 s

Inverse time

• 27 First threshold inverse time ($U_{<inv}$)	0.05...1.10 U_n / E_n
• $U_{<inv}$ Operating time ($t_{U_{<inv}}$)	0.10...100.0 s

U<< Element

Definite time

• 27 Second threshold definite time ($U_{<<def}$)	0.05...1.10 U_n / E_n
• $U_{<<def}$ Operating time ($t_{U_{<<def}}$)	0.03...100.0 s

Note 1: With U_{ph-ph} setting all threshold are in p.u. U_n with U_{ph-n} setting all threshold are in p.u. E_n

Note 2: The mathematical formula for INVERSE curves is:

$$t = 0.75 \cdot t_{U_{<inv}} / [1 - (U/U_{<inv})]$$

where:

t = operating time (in seconds)

$t_{U_{<inv}}$ = operating time setting (in seconds)

U = input voltage

$U_{<inv}$ = threshold setting

Thermal image - 49

Common configuration:

• Initial thermal image $\Delta\theta_{IN}$ (Dth_{IN})	0.0...1.0 $\Delta\theta_B$
• Reduction factor at inrush (K_{INR})	1.0...3.0
• Thermal time constant τ (T)	1...200 min
• DthIN Activation time (t_{dthCLP})	0.00...100.0 s

DthAL1 Element

49 First alarm threshold $\Delta\theta_{AL1}$ (Dth_{AL1})	0.3...1.0 $\Delta\theta_B$
---	----------------------------

DthAL2 Element

49 Second alarm threshold $\Delta\theta_{AL2}$ (Dth_{AL2})	0.3...1.0 $\Delta\theta_B$
--	----------------------------

Dth> Element

49 Trip threshold $\Delta\theta$ ($Dth>$)	1.2 $\Delta\theta_B$
---	----------------------

Phase overcurrent - 50/51

I> Element

• I> Curve type (I>Curve)

DEFINITE
IEC/BS A, B, C
ANSI/IEEE MI, VI, EI
RECTIFIER, I²t or EM

• $I_{CLP>}$ Activation time ($t_{CLP>}$)	0.00...100.0 s
• I> Reset time delay (t_{RES})	0.00...100.0 s

Definite time

• 50/51 First threshold definite time ($I_{>def}$)	0.100...40.0 I_n
• $I_{>def}$ within CLP ($I_{CLP>def}$)	0.100...40.0 I_n
• $I_{>def}$ Operating time ($t_{>def}$)	0.04...200 s

Inverse time

• 50/51 First threshold inverse time ($I_{>inv}$)	0.100...40.0 I_n
• $I_{>inv}$ within CLP ($I_{CLP>inv}$)	0.100...40.0 I_n
• $I_{>inv}$ Operating time ($t_{>inv}$)	0.02...60.0 s

I>> Element

• Type characteristic (I>>Curve)

DEFINITE
I²t

• $I_{CLP>>}$ Activation time ($t_{CLP>>}$)	0.00...100.0 s
• I>> Reset time delay ($t_{>>RES}$)	0.00...100.0 s

Definite time

• 50/51 Second threshold definite time ($I_{>>def}$)	0.100...40.0 I_n
• $I_{>>def}$ within CLP ($I_{CLP>>def}$)	0.100...40.0 I_n
• $I_{>>def}$ Operating time ($t_{>>def}$)	0.03...10.00 s

Inverse time

• 50/51 Second threshold inverse time ($I_{>>inv}$)	0.100...20.00 I_n
• $I_{>>inv}$ within CLP ($I_{CLP>>inv}$)	0.100...20.00 I_n
• $I_{>>inv}$ Operating time ($t_{>>inv}$)	0.02...10.00 s

I>>> Element

• $I_{CLP>>>}$ Activation time ($t_{CLP>>>}$)	0.00...100.0 s
• I>>> Reset time delay ($t_{>>>RES}$)	0.00...100.0 s

Definite time

• 50/51 Third threshold definite time ($I_{>>>def}$)	0.100...40.0 I_n
• $I_{>>>def}$ within CLP ($I_{CLP>>>def}$)	0.100...40.0 I_n
• $I_{>>>def}$ Operating time ($t_{>>>def}$)	0.03...10.00 s

Residual overcurrent - 50N(1)/51N(1)

I_{E1} > Element

• I_{E1} > Curve type (I_{E1} >Curve)

DEFINITE
IEC/BS A, B, C
ANSI/IEEE MI, VI, EI
EM

• $I_{E1CLP>}$ Activation time ($t_{E1CLP>}$)	0.00...100.0 s
• $I_{E1>}$ Reset time delay ($t_{E1>RES}$)	0.00...100.0 s
<i>Definite time</i>	
• 50N(1)/51N(1) First threshold definite time ($I_{E1>def}$)	0.002...10.00 I_{E1n}
• $I_{E1>def}$ within CLP ($I_{E1CLP>def}$)	0.002...10.00 I_{E1n}
• $I_{E1>def}$ Operating time ($t_{E1>def}$)	0.04...200 s
<i>Inverse time</i>	
• 50N(1)/51N(1) First threshold inverse time ($I_{E1>inv}$)	0.002...2.00 I_{E1n}
• $I_{E1>inv}$ within CLP ($I_{E1CLP>inv}$)	0.002...2.00 I_{E1n}
• $I_{E1>inv}$ Operating time ($t_{E1>inv}$)	0.02...60.0 s
<i>$I_{E1>>>}$ Element</i>	
• $I_{E1CLP>>>}$ Activation time ($t_{E1CLP>>>}$)	0.00...100.0 s
• $I_{E1CLP>>>}$ Reset time delay ($t_{E1>>>RES}$)	0.00...100.0 s
<i>Definite time</i>	
• 50N(1)/51N(1) Second threshold def. time ($I_{E1>>>def}$)	0.002...10.00 I_{E1n}
• $I_{E1>>>def}$ within CLP ($I_{E1CLP>>>def}$)	0.002...10.00 I_{E1n}
• $I_{E1>>>def}$ Operating time ($t_{E1>>>def}$)	0.03...10.00 s
<i>$I_{E1>>>>}$ Element</i>	
• $I_{E1CLP>>>>}$ Activation time ($t_{E1CLP>>>>}$)	0.00...100.0 s
• $I_{E1CLP>>>>}$ Reset time delay ($t_{E1>>>>RES}$)	0.00...100.0 s
<i>Definite time</i>	
• 50N(1)/51N(1) Third threshold def. time ($I_{E>>>>def}$)	0.002...10.00 I_{E1n}
• $I_{E1CLP>>>>def}$ within CLP ($I_{E1CLP>>>>def}$)	0.002...10.00 I_{E1n}
• $I_{E1CLP>>>>def}$ Operating time ($t_{E1>>>>def}$)	0.03...10.00 s

Residual overcurrent - 50N(2)/51N(2)

<i>$I_{E2>}$ Element</i>	
• $I_{E2>}$ Curve type ($I_{E2>Curve}$)	DEFINITE IEC/BS A, B, C ANSI/IEEE MI, VI, EI EM
• $I_{E2CLP>}$ Activation time ($t_{E2CLP>}$)	0.00...100.0 s
• $I_{E2>}$ Reset time delay ($t_{E2>RES}$)	0.00...100.0 s
<i>Definite time</i>	
• 50N(2)/51N(2) First threshold definite time ($I_{E2>def}$)	0.002...10.00 I_{E2n}
• $I_{E2>def}$ within CLP ($I_{E2CLP>def}$)	0.002...10.00 I_{E2n}
• $I_{E2>def}$ Operating time ($t_{E2>def}$)	0.04...200 s
<i>Inverse time</i>	
• 50N(2)/51N(2) First threshold inverse time ($I_{E2>inv}$)	0.002...2.00 I_{E2n}
• $I_{E2>inv}$ within CLP ($I_{E2CLP>inv}$)	0.002...2.00 I_{E2n}
• $I_{E2>inv}$ Operating time ($t_{E2>inv}$)	0.02...60.0 s
<i>$I_{E2>>>}$ Element</i>	
• $I_{E2CLP>>>}$ Activation time ($t_{E2CLP>>>}$)	0.00...100.0 s
• $I_{E2>>>}$ Reset time delay ($t_{E2>>>RES}$)	0.00...100.0 s
<i>Definite time</i>	
• 50N(2)/51N(2) Second threshold def. time ($I_{E2>>>def}$)	0.002...10.00 I_{E2n}
• $I_{E2>>>def}$ within CLP ($I_{E2CLP>>>def}$)	0.002...10.00 I_{E2n}
• $I_{E2>>>def}$ Operating time ($t_{E2>>>def}$)	0.03...10.00 s
<i>$I_{E2>>>>}$ Element</i>	
• $I_{E2CLP>>>>}$ Activation time ($t_{E2CLP>>>>}$)	0.00...100.0 s
• $I_{E2CLP>>>>}$ Reset time delay ($t_{E2>>>>RES}$)	0.00...100.0 s
<i>Definite time</i>	
• 50N(1)/51N(1) Third threshold def. time ($I_{E2>>>>def}$)	0.002...10.00 I_{E2n}
• $I_{E2CLP>>>>def}$ within CLP ($I_{E2CLP>>>>def}$)	0.002...10.00 I_{E2n}
• $I_{E2CLP>>>>def}$ Operating time ($t_{E2>>>>def}$)	0.03...10.00 s

Residual overcurrent - 50N(Comp)/51N(Comp)

<i>$I_{EC>}$ Element^[1]</i>	
• $I_{EC>}$ Curve type ($I_{EC>Curve}$)	DEFINITE IEC/BS A, B, C ANSI/IEEE MI, VI, EI EM
• $I_{ECCLP>}$ Activation time ($t_{ECCLP>}$)	0.00...100.0 s
• $I_{EC>}$ Reset time delay ($t_{EC>RES}$)	0.00...100.0 s
<i>Definite time</i>	
• 50N(Comp)/51N(Comp) First threshold def. time ($I_{E2>def}$)	0.100...40.0 I_n
• $I_{EC>def}$ within CLP ($I_{ECCLP>def}$)	0.100...40.0 I_n
• $I_{EC>def}$ Operating time ($t_{EC>def}$)	0.04...200 s
<i>Inverse time</i>	
• 50N(Comp)/51N(Comp) First threshold inv. time ($I_{EC>inv}$)	0.100...20.00 I_n
• $I_{EC>inv}$ within CLP ($I_{ECCLP>inv}$)	0.100...20.00 I_n
• Operating time ($t_{EC>inv}$)	0.02...60.0 s

<i>$I_{EC>>>}$ Element</i>	
• $I_{ECCLP>>>}$ Activation time ($t_{ECCLP>>>}$)	0.00...100.0 s
• $I_{EC>>>}$ Reset time delay ($t_{EC>>>RES}$)	0.00...100.0 s
<i>Definite time</i>	
• 50N(Comp)/51N(Comp) Second thres. def. time ($I_{E2>>>def}$)	0.100...40.0 I_n
• $I_{E2>>>def}$ within CLP ($I_{E2CLP>>>def}$)	0.100...40.0 I_n
• $I_{E2>>>def}$ Operating time ($t_{E2>>>def}$)	0.03...10.00 s
<i>$I_{E2>>>>}$ Element</i>	
• $I_{E2CLP>>>>}$ Activation time ($t_{E2CLP>>>>}$)	0.00...100.0 s
• $I_{E2CLP>>>>}$ Reset time delay ($t_{E2>>>>RES}$)	0.00...100.0 s
<i>Definite time</i>	
• 50N(Comp)/51N(Comp) Third thres. def. time ($I_{E2>>>>def}$)	0.100...40.0 I_n
• $I_{E2CLP>>>>def}$ within CLP ($I_{E2CLP>>>>def}$)	0.100...40.0 I_n
• $I_{E2CLP>>>>def}$ Operating time ($t_{E2>>>>def}$)	0.03...10.00 s

Note 1: the computed residual current I_{EC} is employed (vectorial sum of the phase currents)

Overvoltage - 59

<i>Common configuration:</i>	
• Voltage measurement type for 59 (U_{type59}) ^[1]	U_{ph-ph}/U_{ph-n}
• 59 Operating logic ($Logic59$)	AND/OR
<i>$U>$ Element</i>	
• $U>$ Curve type ($U>Curve$)	DEFINITE INVERSE ^[2]

<i>Definite time</i>	
• 59 First threshold definite time ($U>def$)	0.50...1.50 U_n/E_n
• $U>def$ Operating time ($t_{U>def}$)	0.03...100.0 s
<i>Inverse time</i>	
• 59 First threshold inverse time ($U>inv$)	0.50...1.50 U_n/E_n
• $U>inv$ Operating time ($t_{U>inv}$)	0.10...100.0 s
<i>$U>>$ Element</i>	
<i>Definite time</i>	
• 59 Second threshold definite time ($U>>def$)	0.50...1.50 U_n/E_n
• $U>>def$ Operating time ($t_{U>>def}$)	0.03...100.0 s

Note 1: With U_{ph-ph} setting all threshold are in p.u. U_n with U_{ph-n} setting all threshold are in p.u. E_n

Note 2: The mathematical formula for INVERSE curves is:
 $t = 0.5 \cdot t_{U>inv} / [1 - (U/U_{>inv})]$

where:

- t = operating time (in seconds)
- $t_{U>inv}$ = operating time setting (in seconds)
- U = input voltage
- $U_{>inv}$ = threshold setting

Residual overvoltage - 59N^[1]

<i>Common configuration:</i>	
• Residual voltage measurement for 59N - computed	U_{EC}
• 59N Operating mode from 74VT internal ($74VTint59N$)	OFF/Block
• 59N Operating mode from 74VT external ($74VText59N$)	OFF/Block
<i>$U_E>$ Element</i>	
• $U_E>$ Curve type ($U_E>Curve$)	DEFINITE INVERSE ^[2]
• $U_E>$ Reset time delay ($t_{UE>RES}$)	0.00...100.0 s
<i>Definite time</i>	
• 59N First threshold definite time ($U_E>def$)	0.01...0.70 U_{En}
• $U_E>def$ Operating time ($t_{UE>def}$)	0.07...100.0 s
<i>Inverse time</i>	
• 59N First threshold inverse time ($U_E>inv$)	0.01...0.50 U_{En}
• $U_E>inv$ Operating time ($t_{UE>inv}$)	0.10...100.0 s
<i>$U_E>>$ Element</i>	
• $U_E>>$ Reset time delay ($t_{UE>>RES}$)	0.00...100.0 s
• 59N Second threshold definite time ($U_E>>def$)	0.01...0.70 U_{En}
• $U_E>>def$ Operating time ($t_{UE>>def}$)	0.07...100.0 s

Note 1: The computed residual voltage U_{EC} is employed (vectorial sum of the phase voltages)

Note 2: The mathematical formula for INVERSE curves is:
 $t = 0.5 \cdot t_{UE>inv} / [(U_{EC}/U_{E>inv}) - 1]$

where:

- t = operating time (in seconds)
- $t_{UE>inv}$ = operating time setting (in seconds)
- U_{EC} = computed residual voltage
- $U_{E>inv}$ = threshold setting

□ Directional phase overcurrent - 67

Common configuration:

- 67 Operating mode (*Mode67*) |/| - cos
- 67 Operating logic (*Logic67*) 1/3 / 2/3
- 67 Operating mode from 74VT internal (*74VTint67*)
OFF/Block/Not directional
- 67 Operating mode from 74VT external (*74VText67*)
OFF/Block/Not directional

I_{PD}> Element

- *I_{PD}*> Curve type (*I_{PD}*>Curve) DEFINITE
IEC/BS A, B, C
ANSI/IEEE MI, VI, EI
RECTIFIER, I²t or EM
- *I_{PDCLP}*> Activation time (*t_{PDCLP}*>) 0.00...100.0 s
- *I_{PD}*> Reset time delay (*t_{PD}*>RES) 0.00...100.0 s

Definite time

- 67 First threshold definite time (*I_{PD}*>def) 0.100...40.0 *I_n*
- *I_{PD}*>def characteristic angle (*Theta_{PD}*>def) 0...359°
- *I_{PD}*>def within CLP (*I_{PDCLP}*>def) 0.100...40.0 *I_n*
- *I_{PD}*>def Operating time (*t_{PD}*>def) 0.05...200 s

Inverse time

- 67 First threshold inverse time (*I_{PD}*>inv) 0.100...10.0 *I_n*
- *I_{PD}*>inv characteristic angle (*Theta_{PD}*>inv) 0...359°
- *I_{PD}*>inv within CLP (*I_{PDCLP}*>inv) 0.100...10.0 *I_n*
- *I_{PD}*>inv Operating time (*t_{PD}*>inv) 0.02...60.0 s

I_{PD}>> Element

- *I_{PD}*>> Curve type (*I_{PD}*>>Curve) DEFINITE
IEC/BS A, B, C
ANSI/IEEE MI, VI, EI
RECTIFIER, I²t or EM
- *I_{PDCLP}*>> Activation time (*t_{PDCLP}*>>) 0.00...100.0 s
- *I_{PD}*>> Reset time delay (*t_{PD}*>>RES) 0.00...100.0 s

Definite time

- 67 Second threshold definite time (*I_{PD}*>>def) 0.100...40.0 *I_n*
- *I_{PD}*>>def characteristic angle (*Theta_{PD}*>>def) 0...359°
- *I_{PD}*>>def within CLP (*I_{PDCLP}*>>def) 0.100...40.0 *I_n*
- *I_{PD}*>>def Operating time (*t_{PD}*>>def) 0.04...200 s

Inverse time

- 67 Second threshold inverse time (*I_{PD}*>>inv) 0.100...10.0 *I_n*
- *I_{PD}*>>inv characteristic angle (*Theta_{PD}*>>inv) 0...359°
- *I_{PD}*>>inv within CLP (*I_{PDCLP}*>>inv) 0.100...10.0 *I_n*
- *I_{PD}*>>inv Operating time (*t_{PD}*>>inv) 0.02...60.0 s

I_{PD}>>> Element

- *I_{PDCLP}*>>> Activation time (*t_{PDCLP}*>>>) 0.00...100.0 s
- *I_{PD}*>>> Reset time delay (*t_{PD}*>>>RES) 0.00...100.0 s

Definite time

- 67 Third threshold definite time (*I_{PD}*>>>def) 0.100...40.0 *I_n*
- *I_{PD}*>>>def characteristic angle (*Theta_{PD}*>>>def) 0...359°
- *I_{PD}*>>>def within CLP (*I_{PDCLP}*>>>def) 0.100...40.0 *I_n*
- *I_{PD}*>>>def Operating time (*t_{PD}*>>>def) 0.04...10.00 s

I_{PD}>>>> Element

- *I_{PDCLP}*>>>> Activation time (*t_{PDCLP}*>>>>) 0.00...100.0 s
- *I_{PD}*>>>> Reset time delay (*t_{PD}*>>>>RES) 0.00...100.0 s

Definite time

- 67 Fourth threshold definite time (*I_{PD}*>>>>def) 0.100...40.0 *I_n*
- *I_{PD}*>>>>def characteristic angle (*Theta_{PD}*>>>>def) 0...359°
- *I_{PD}*>>>>def within CLP (*I_{PDCLP}*>>>>def) 0.100...40.0 *I_n*
- *I_{PD}*>>>>def Operating time (*t_{PD}*>>>>def) 0.04...10.00 s

□ Directional earth fault overcurrent - 67N ⁽¹⁾

Common configuration:

- 67N Operating mode (*Mode67N*) |/| - cos
- Residual voltage measurement type for 67N - direct/calculated (*3VoType67N*) *U_{EC}*
- 67N Multiplier of threshold for insensitive zone (*M*) 1.5...10.0
- 67N Operating mode from 74VT internal (*74VTint67N*)
OFF/Block/Not directional
- 67N Operating mode from 74VT external (*74VText67N*)
OFF/Block/Not directional

I_{ED}> Element

- *I_{ED}*> Curve type DEFINITE
IEC/BS A, B, C
ANSI/IEEE MI, VI, EI
EM

- *I_{EDCLP}*> Activation time (*t_{EDCLP}*>) 0.00...100.0 s
- *I_{ED}*> Reset time delay (*t_{ED}*>RES) 0.00...100.0 s

Definite time

- 67N First threshold definite time (*I_{ED}*>def - *U_{ED}*>def)
 - Residual current pickup value 0.002...10.00 *I_{E1n}*
 - Residual voltage pickup value 0.004...0.500 *U_{ECn}*
 - Characteristic angle 0...359°
 - Half operating sector 1...180°
- *I_{ED}*>def within CLP (*I_{EDCLP}*>def) 0.002...10.00 *I_{E1n}*
- *I_{ED}*>def Operating time (*t_{ED}*>def) 0.05...200 s

Inverse time

- 67N First threshold inverse time (*I_{ED}*>inv - *U_{ED}*>inv)
 - Residual current pickup value 0.002...2.00 *I_{E1n}*
 - Residual voltage pickup value 0.004...0.500 *U_{ECn}*
 - Characteristic angle 0...359°
 - Half operating sector 1...180°
- *I_{ED}*>inv within CLP (*I_{EDCLP}*>inv) 0.002...2.00 *I_{E1n}*
- *I_{ED}*>inv Operating time (*t_{ED}*>inv) 0.02...60.0 s

I_{ED}>> Element

- *I_{ED}*>> Curve type (*I_{ED}*>>Curve) DEFINITE
IEC/BS A, B, C
ANSI/IEEE MI, VI, EI
EM
- *I_{EDCLP}*>> Activation time (*t_{EDCLP}*>>) 0.00...100.0 s
- *I_{ED}*>> Reset time delay (*t_{ED}*>>RES) 0.00...100.0 s

Definite time

- 67N Second threshold definite time (*I_{ED}*>>def - *U_{ED}*>>def)
 - Residual current pickup value 0.002...10.00 *I_{E1n}*
 - Residual voltage pickup value 0.004...0.500 *U_{ECn}*
 - Characteristic angle 0...359°
 - Half operating sector 1...180°
- *I_{ED}*>>def within CLP (*I_{EDCLP}*>>def) 0.002...10.00 *I_{E1n}*
- *I_{ED}*>>def Operating time (*t_{ED}*>>def) 0.05...10.00 s

Inverse time

- 67N Second threshold inverse time (*I_{ED}*>>inv - *U_{ED}*>>inv)
 - Residual current pickup value 0.002...2.00 *I_{E1n}*
 - Residual voltage pickup value 0.004...0.500 *U_{ECn}*
 - Characteristic angle 0...359°
 - Half operating sector 1...180°
- *I_{ED}*>>inv within CLP (*I_{EDCLP}*>>inv) 0.002...2.00 *I_{E1n}*
- *I_{ED}*>>inv Operating time (*t_{ED}*>>inv) 0.02...60.0 s

I_{ED}>>> Element

- *I_{EDCLP}*>>> Activation time (*t_{EDCLP}*>>>) 0.00...100.0 s
- *I_{ED}*>>> Reset time delay (*t_{ED}*>>>RES) 0.00...100.0 s

Definite time

- 67N Third threshold definite time (*I_{ED}*>>>def - *U_{ED}*>>>def)
 - Residual current pickup value 0.002...10.00 *I_{E1n}*
 - Residual voltage pickup value 0.004...0.500 *U_{ECn}*
 - Characteristic angle 0...359°
 - Half operating sector 1...180°
- *I_{ED}*>>>def within CLP (*I_{EDCLP}*>>>def) 0.002...10.00 *I_{E1n}*
- *I_{ED}*>>>def Operating time (*t_{ED}*>>>def) 0.05...10.00 s

I_{ED}>>>> Element

- *I_{EDCLP}*>>>> Activation time (*t_{EDCLP}*>>>>) 0.00...100.0 s
- *I_{ED}*>>>> Reset time delay (*t_{ED}*>>>>RES) 0.00...100.0 s

Definite time

- 67N Fourth threshold definite time (*I_{ED}*>>>>def - *U_{ED}*>>>>def)
 - Residual current pickup value 0.002...10.00 *I_{E1n}*
 - Residual voltage pickup value 0.004...0.500 *U_{ECn}*
 - Characteristic angle 0...359°
 - Half operating sector 1...180°
- *I_{ED}*>>>>def within CLP (*I_{EDCLP}*>>>>def) 0.002...10.00 *I_{E1n}*
- *I_{ED}*>>>>def Operating time (*t_{ED}*>>>>def) 0.05...10.00 s

Note 1: the computed residual voltage *U_{EC}* (vectorial sum of the phase voltages) and measured residual current *I_{E1}* are employed

□ Selective block - BLOCK2

Selective block IN:

- BLIN Max activation time for phase protections (*t_{B-IPh}*) 0.10...10.00 s
- BLIN Max activation time for ground protections (*t_{B-IE}*) 0.10...10.00 s

Selective block OUT:

- BLOUT Dropout time delay for phase protections (t_{F-IPh}) 0.00...1.00 s
- BLOUT Drop-out time delay for ground protections (t_{F-IE}) 0.00...1.00 s
- BLOUT Drop-out time delay for phase and ground protections ($t_{F-IPh/IE}$) 0.00...1.00 s

Internal selective block - BLOCK4

- Output internal selective block dropout time for phase protections (t_{F-IPh}) 0.00...10.00 s
- Output internal selective block dropout time for ground protections (t_{F-IE}) 0.00...10.00 s

Breaker failure - BF

- BF Phase current threshold ($I_{BF>}$) 0.05...1.00 I_n
- BF Residual current threshold from I_{E1} input ($I_{E1BF>}$) 0.01...2.00 I_{E1n}
- BF Residual current threshold from I_{E2} input ($I_{E2BF>}$) 0.01...2.00 I_{E2n}
- BF Time delay (t_{BF}) 0.06...10.00 s

Second Harmonic Restraint - 2ndh-REST

- Second harmonic restraint threshold ($I_{2ndh>}$) 10...50 %
- $I_{2ndh>}$ Reset time delay ($t_{2ndh>RES}$) 0.00...100.0 s

VT supervision - 74VT

- 74VT Negative sequence overvoltage threshold ($U_{2VT>}$) 0.05...0.50 E_n
- 74VT Negative sequence overvoltage threshold ($I_{2VT>}$) 0.05...0.50 I_n
- 74VT Phase undervoltage threshold ($U_{VT<}$) 0.05...0.50 E_n
- 74VT Minimum change of current threshold 74VT ($D_{IVT<}$) 0.05...0.50 I_n
- 74VT Undercurrent inhibition threshold ($I_{VT<}$) 0.100...40.0 I_n
- 74VT Alarm time delay (t_{VT-AL}) 0.0...10.0 s

CT supervision - 74CT

- 74CT Threshold ($S<$) 0.10...0.95
- 74CT Overcurrent threshold (I^*) 0.10...1.00 I_n
- $S<$ Operating time ($t_{S<}$) 0.03...200 s

Circuit Breaker supervision

- Number of CB trips (N_{Open}) 0...10000
- Cumulative CB tripping currents ($SumI$) 0...5000 I_n
- CB opening time for I^2t calculation (t_{break}) 0.05...1.00 s
- Cumulative CB tripping I^2t ($SumI^2t$) 0...5000 $I_n^2 \cdot s$
- CB max allowed opening time ($t_{break>}$) 0.05...1.00 s

Pilot wire diagnostic

- BLOUT1 Diagnostic pulses period ($PulseBLOUT1$) OFF - 0.1-1-5-10-60-120 s
- BLIN1 Diagnostic pulses control time interval ($PulseBLIN1$) OFF - 0.1-1-5-10-60-120 s

METERING

Measured parameters

- Direct:*
- Frequency f
 - Fundamental RMS phase currents I_{L1}, I_{L2}, I_{L3}
 - Fundamental RMS phase voltages U_{L1}, U_{L2}, U_{L3}
 - Fundamental RMS residual currents I_{E1}, I_{E2}

Calculated:

- Thermal image $D\theta$
- Fundamental RMS phase-to-phase voltages U_{12}, U_{23}, U_{31}
- Fundamental RMS calculated residual voltage U_{EC}
- Fundamental RMS calculated residual current I_{EC}
- Maximum current between $I_{L1}-I_{L2}-I_{L3}$ I_{Lmax}
- Minimum current between $I_{L1}-I_{L2}-I_{L3}$ I_{Lmin}
- Average current between $I_{L1}-I_{L2}-I_{L3}$ I_L
- Maximum voltage between $U_{L1}-U_{L2}-U_{L3}$ U_{Lmax}
- Average voltage between $U_{L1}-U_{L2}-U_{L3}$ U_L
- Maximum voltage between $U_{12}-U_{23}-U_{31}$ U_{max}
- Average voltage between $U_{12}-U_{23}-U_{31}$ U

Phase:

- Displacement angle of I_{L1} respect to U_{L1} $PhiL1$
- Displacement angle of I_{L2} respect to U_{L2} $PhiL2$
- Displacement angle of I_{L3} respect to U_{L3} $PhiL3$
- Displacement angle of I_{L1} respect to U_{23} $Alpha1$
- Displacement angle of I_{L2} respect to U_{31} $Alpha2$
- Displacement angle of I_{L3} respect to U_{12} $Alpha3$
- Displacement angle of U_{EC} respect to I_{E1} $PhiEC$

Sequence:

- Positive sequence current I_1
- Negative sequence current I_2
- Negative sequence current/positive sequence current ratio I_2/I_1
- Negative sequence voltage U_2

Power:

- Total active power P
- Total reactive power Q
- Total apparent power S
- Power factor $cosPhi$
- Phase active powers P_{L1}, P_{L2}, P_{L3}
- Phase reactive powers Q_{L1}, Q_{L2}, Q_{L3}
- Power factors $cosPhiL1, cosPhiL2, cosPhiL3$

2nd harmonic:

- Second harmonic phase currents $I_{L1-2nd}, I_{L2-2nd}, I_{L3-2nd}$
- Maximum of the second harmonic phase currents/fundamental component percentage ratio I_{-2nd} / I_L

3rd harmonic:

- Third harmonic phase currents $I_{L1-3rd}, I_{L2-3rd}, I_{L3-3rd}$
- Third harmonic I_{E1} residual current I_{E1-3rd}

4th harmonic:

- Fourth harmonic phase currents $I_{L1-4th}, I_{L2-4th}, I_{L3-4th}$

5th harmonic:

- Fifth harmonic phase currents $I_{L1-5th}, I_{L2-5th}, I_{L3-5th}$

Demand phase currents:

- Phase fixed currents demand $I_{L1FIX}, I_{L2FIX}, I_{L3FIX}$
- Phase rolling currents demand $I_{L1ROL}, I_{L2ROL}, I_{L3ROL}$
- Phase peak currents demand $I_{L1MAX}, I_{L2MAX}, I_{L3MAX}$
- Phase minimum currents demand $I_{L1MIN}, I_{L2MIN}, I_{L3MIN}$

Demand power:

- Fixed active power demand P_{FIX}
- Fixed reactive power demand Q_{FIX}
- Rolling active power demand P_{ROL}
- Rolling reactive power demand Q_{ROL}
- Peak active power demand P_{MAX}
- Peak reactive power demand Q_{MAX}
- Minimum active power demand P_{MIN}
- Minimum reactive power demand Q_{MIN}

Energy:

- Positive active energy E_{A+}
- Negative active energy E_{A-}
- Total active energy E_A
- Positive reactive energy E_{Q+}
- Negative reactive energy E_{Q-}
- Total reactive energy E_Q

PT100:

- Temperature PT1...PT8 $T_1... T_8$

Event storage

Sequence of Event Recorder (SER)

- Number of events 300
- Recording mode circular

Trigger:

- Output relays switching $K1...K6...Kx$
- Binary inputs switching $IN1, IN2...INx$
- Setting changes

Data recorded:

- Event counter (resettable by ThySetter) 0...10⁹
- Event cause binary input/output relay/setting changes
- Time stamp Date and time

Sequence of Fault Recorder (SFR)

- Number of faults 20
- Recording mode circular

Trigger:

- External trigger (binary inputs) IN1, IN2...INx
- Element pickup (OFF-ON transition) Start/Trip

Data recorded:

- Time stamp Date and time
- Fault cause start, trip, binary input
- Fault counter (resettable by ThySetter) 0...10⁹
- Fundamental RMS phase currents $I_{L1r}, I_{L2r}, I_{L3r}$
- Fundamental RMS residual currents $I_{E1r}, I_{E2r}, I_{ECr}$
- Fundamental RMS phase voltages $U_{L1r}, U_{L2r}, U_{L3r}$
- Fundamental RMS phase-to-phase voltages $U_{12r}, U_{23r}, U_{31r}$
- Fundamental RMS residual voltages (calculated) U_{ECr}
- Displacement angles ($I_{L1}-U_{L1}, I_{L2}-U_{L2}, I_{L3}-U_{L3}$) $Phi_{iL1r}, Phi_{iL2r}, Phi_{iL3r}$
- Displacement angles ($I_{L1}-U_{23}, I_{L2}-U_{31}, I_{L3}-U_{12}$) $Alpha_{1r}, Alpha_{2r}, Alpha_{3r}$
- Displacement angle ($U_{EC}-I_{E12}$) Phi_{IECr}
- Thermal image $DTheta-r$
- Binary inputs state IN1, IN2...INx
- Output relays state K1...K6...Kx
- Fault cause info (operating phase) L1, L2, L3

Trigger setup:

- Pre-trigger time 0.05...1.00 s
- Post-trigger time 0.05...60.00 s
- Trigger from inputs IN1, INx
- Trigger from outputs K1...Kx
- Manual command ThySetter

Set sample channels:

- Instantaneous currents $i_{L1}, i_{L2}, i_{L3}, i_{E1}, i_{E2}$
- Instantaneous voltages u_{L1}, u_{L2}, u_{L3}

Set analog channels (Analog 1...12):

- Frequency f
- Fundamental RMS phase currents I_{L1}, I_{L2}, I_{L3}
- Fundamental RMS residual current I_{E1}, I_{E2}
- Fundamental RMS phase voltages U_{L1}, U_{L2}, U_{L3}
- Fundamental RMS calculated residual current I_{EC}
- Fundamental RMS computed residual voltage U_{EC}
- Fundamental RMS phase-to-phase voltages U_{12}, U_{23}, U_{31}
- Displacement angles ($I_{L1}-U_{L1}, I_{L2}-U_{L2}, I_{L3}-U_{L3}$) $Phi_{iL1}, Phi_{iL2}, Phi_{iL3}$
- Displacement angles ($I_{L1}-U_{23}, I_{L2}-U_{31}, I_{L3}-U_{12}$) $Alpha_{1}, Alpha_{2}, Alpha_{3}$
- Displacement angle ($U_{EC}-I_{E1}$) Phi_{IEC}
- Second harmonic phase currents $I_{L1-2nd}, I_{L2-2nd}, I_{L3-2nd}$
- Maximum of the second harmonic phase currents/fundamental component percentage ratio I_{-2nd}/I_L
- Temperature $T1...T8$

Set digital channels (Digital 1...12):

- Output relays state K1...Kx
- Binary inputs state IN1, INx

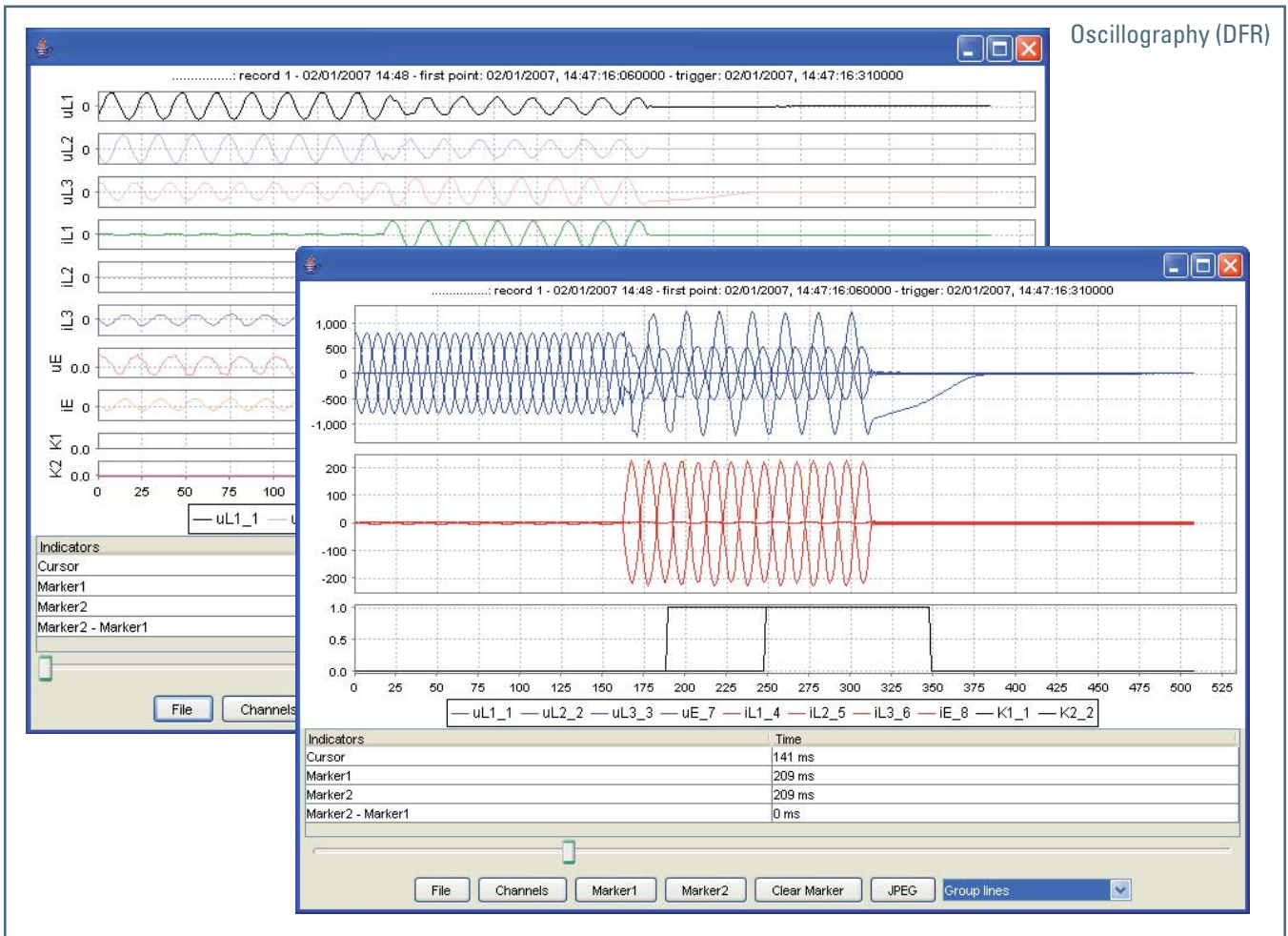
Digital Fault Recorder (Oscillography)

- File format COMTRADE
- Records depending on setting ⁽¹⁾
- Recording mode circular
- Sampling rate 24 samples per cycle

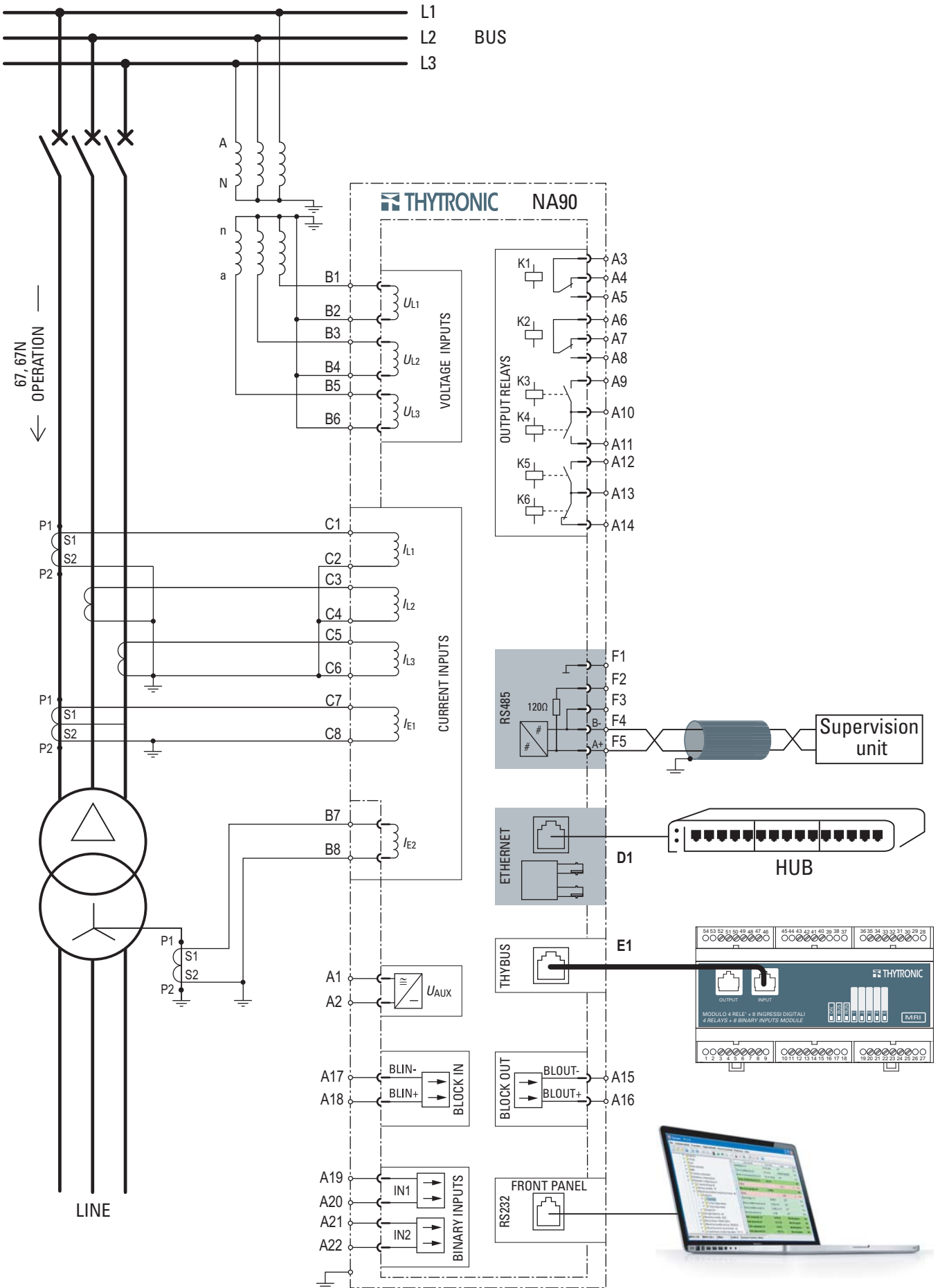
Note 1 - For instance, with following setting:

- Pre-trigger time 0.25 s
- Post-trigger time 0.25 s
- Sampled channels $i_{L1}, i_{L2}, i_{L3}, i_{E1}, i_{E2}, u_{L1}, u_{L2}, u_{L3}$
- Analog channels $I_{L1}, I_{L2}, I_{L3}, I_{E1}, I_{E2}, U_{L1}, U_{L2}, U_{L3}, U_{EC}$
- Digital channels K1, K2, K3, K4, K5, K6, IN1, IN2

More than 270 records can be stored with $f = 50$ Hz

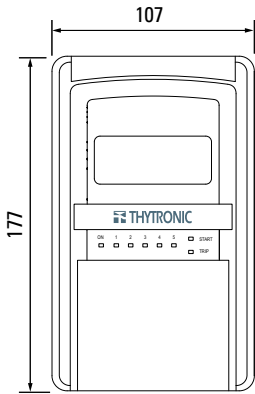


□ Connection diagram example

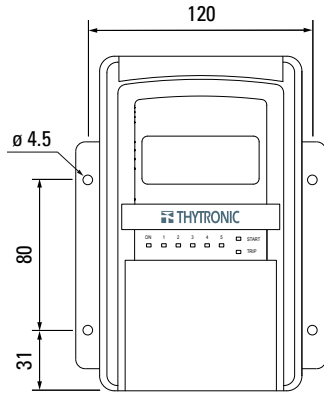


DIMENSIONS

FRONT VIEWS

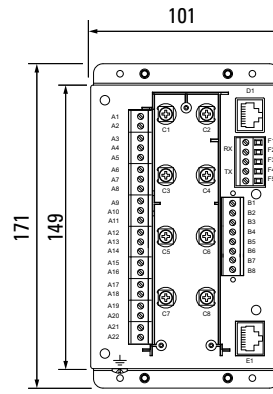


FLUSH MOUNTING

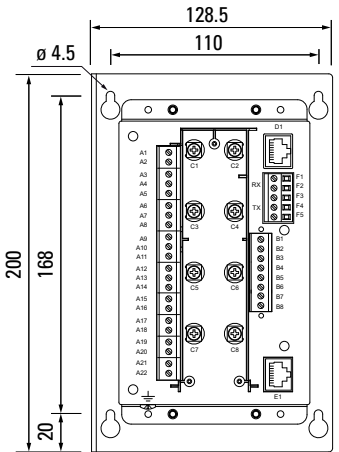


PROJECTING MOUNTING

REAR VIEWS

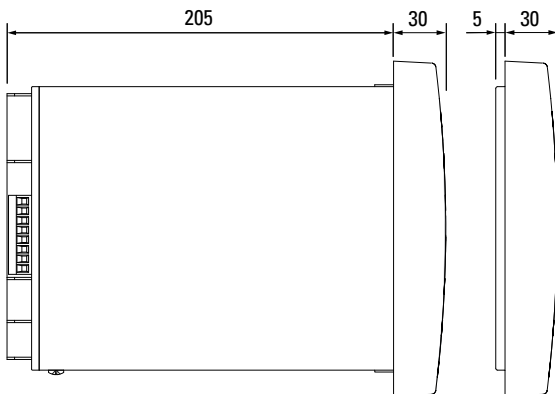


FLUSH MOUNTING



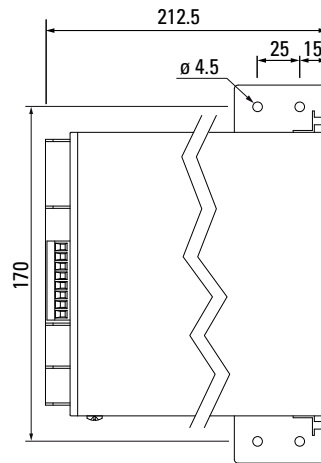
PROJECTING MOUNTING
(Separate operator panel)

SIDE VIEWS

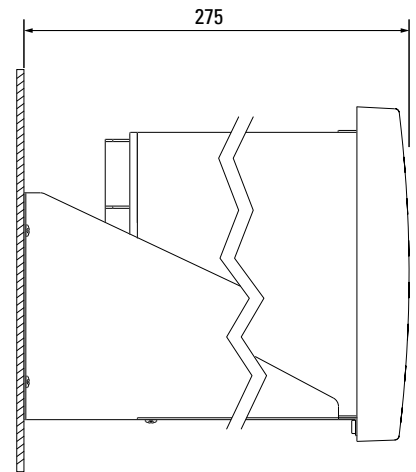


FLUSH MOUNTING

SEPARATE
OPERATOR PANEL

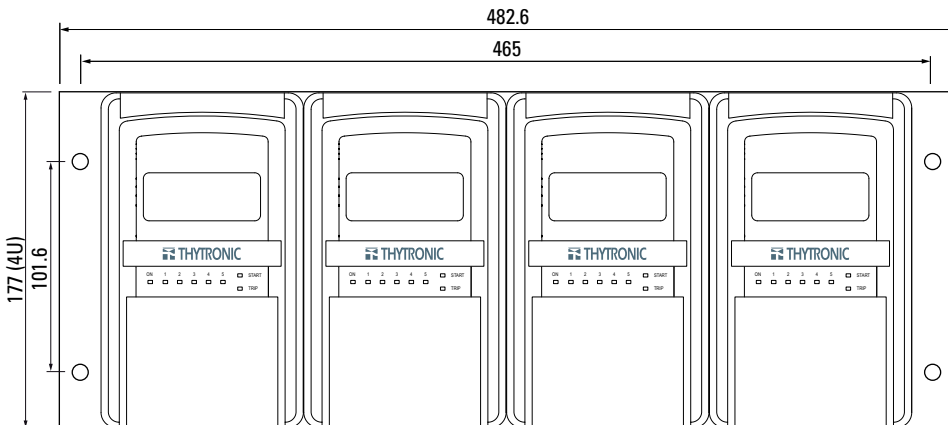


PROJECTING MOUNTING
(Separate operator panel)

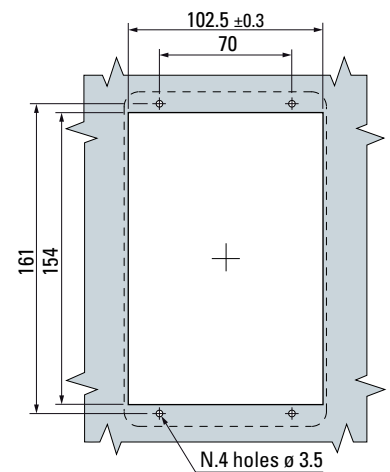


PROJECTING MOUNTING
(Stand alone)

RACK MOUNTING



FLUSH MOUNTING CUTOUT



www.pro-n.it



A PERSONALISED SERVICE OF THE PRODUCTION, A RAPID DELIVERY, A COMPETITIVE PRICE AND AN ATTENTIVE EVALUATION OF OUR CUSTOMERS NEEDS, HAVE ALL CONTRIBUTED IN MAKING US ONE OF THE BEST AND MOST RELIABLE PRODUCERS OF PROTECTIVE RELAYS. FORTY YEARS OF EXPERIENCE HAS MADE STANDARD THESE ADVANTAGES THAT ARE GREATLY APPRECIATED BY LARGE COMPANIES THAT DEAL ON THE INTERNATIONAL MARKET. A HIGHLY QUALIFIED AND MOTIVATED STAFF PERMITS US TO OFFER AN AVANT-GARDE PRODUCT AND SERVICE WHICH MEET ALL SAFETY AND CONTINUITY DEMANDS, VITAL IN THE GENERATION OF ELECTRIC POWER. OUR COMPANY PHILOSOPHY HAS HAD A POSITIVE REACTION FROM THE MARKET BY BACKING OUR COMMITMENT AND HENCE STIMULATING OUR GROWTH.